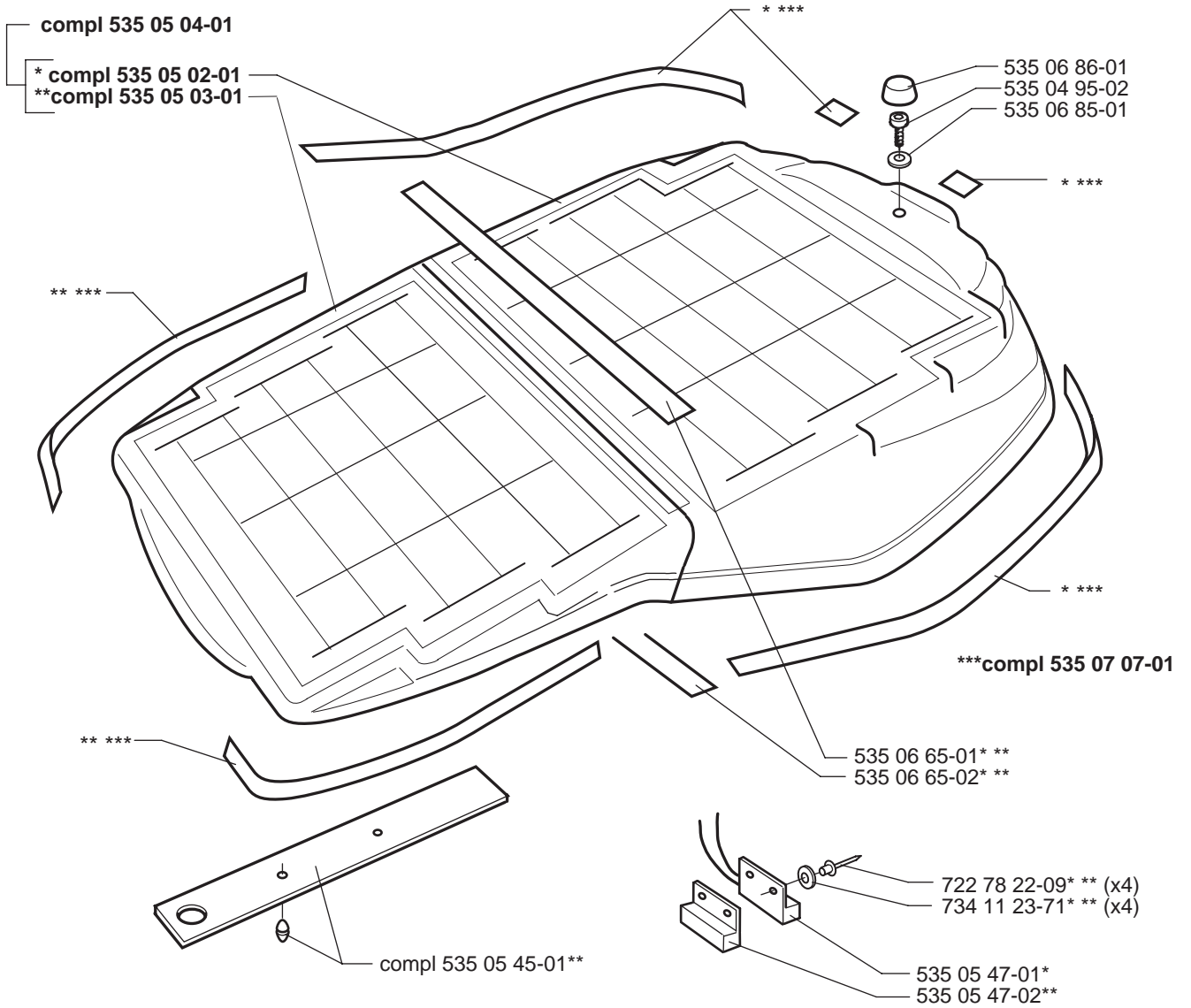
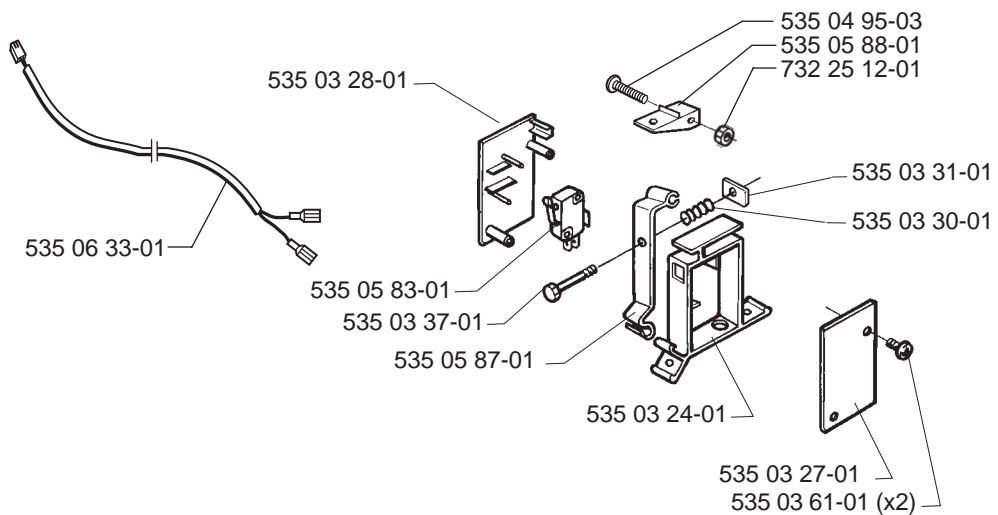


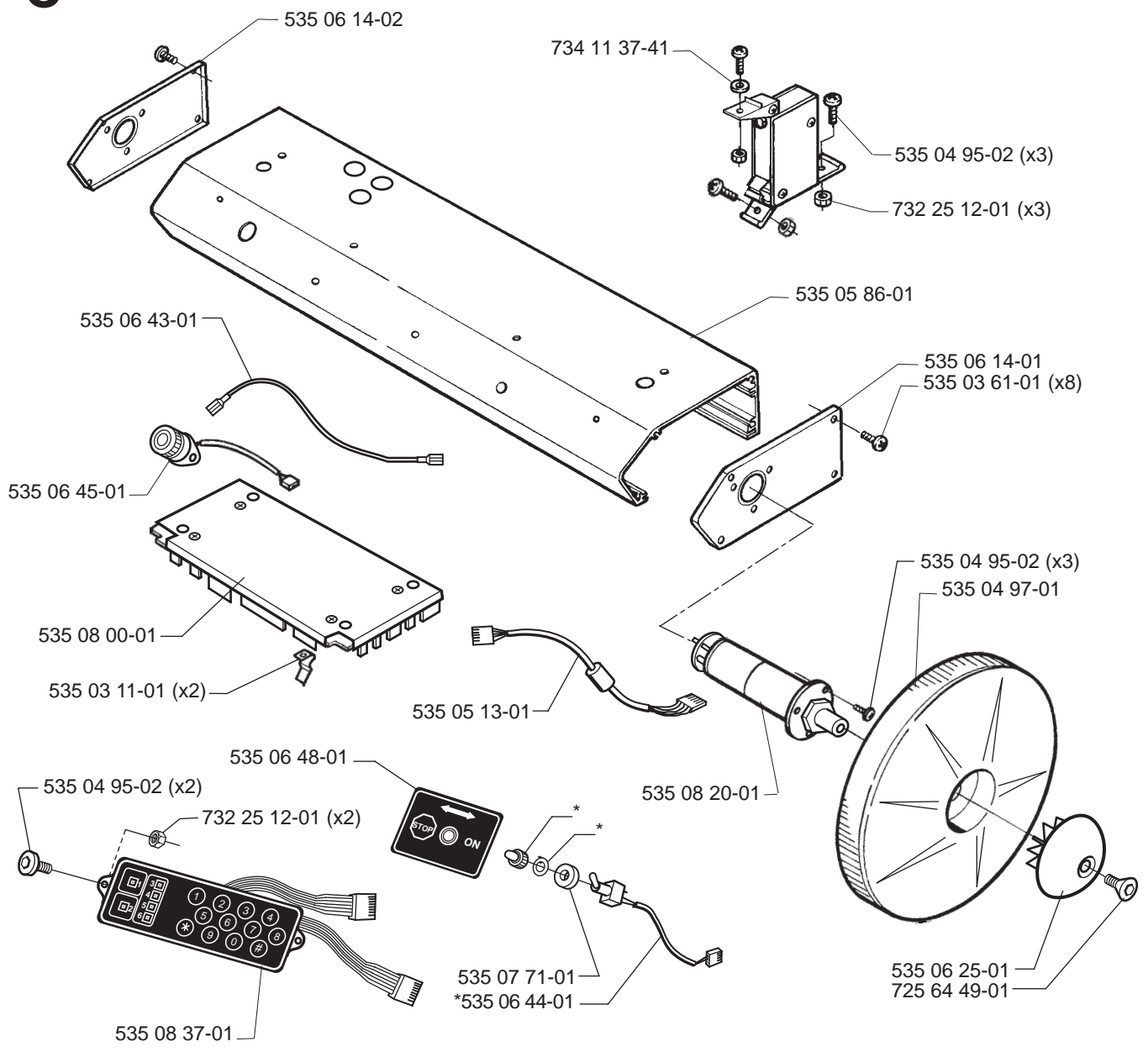
# A



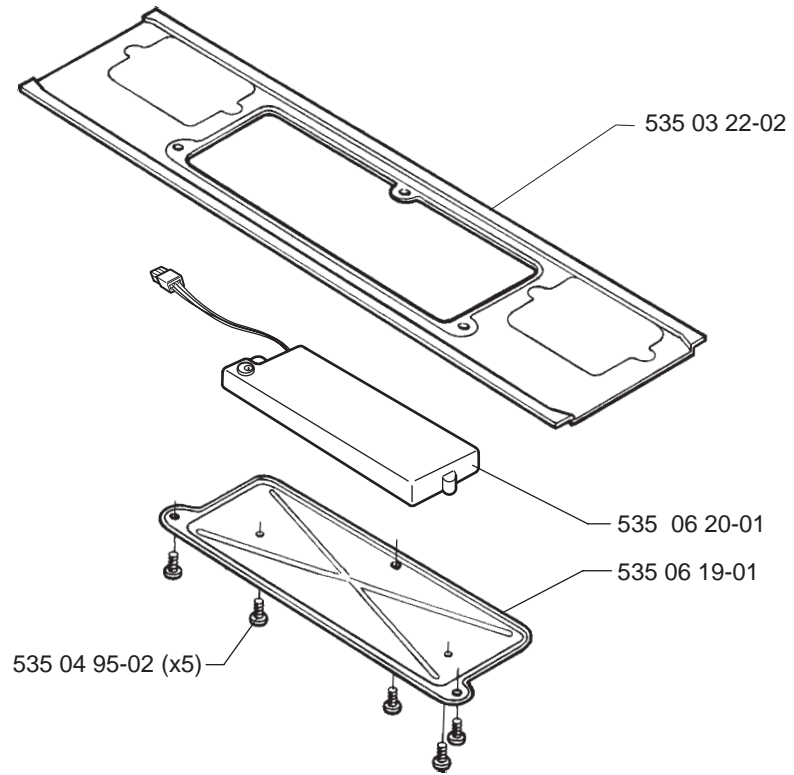
# B



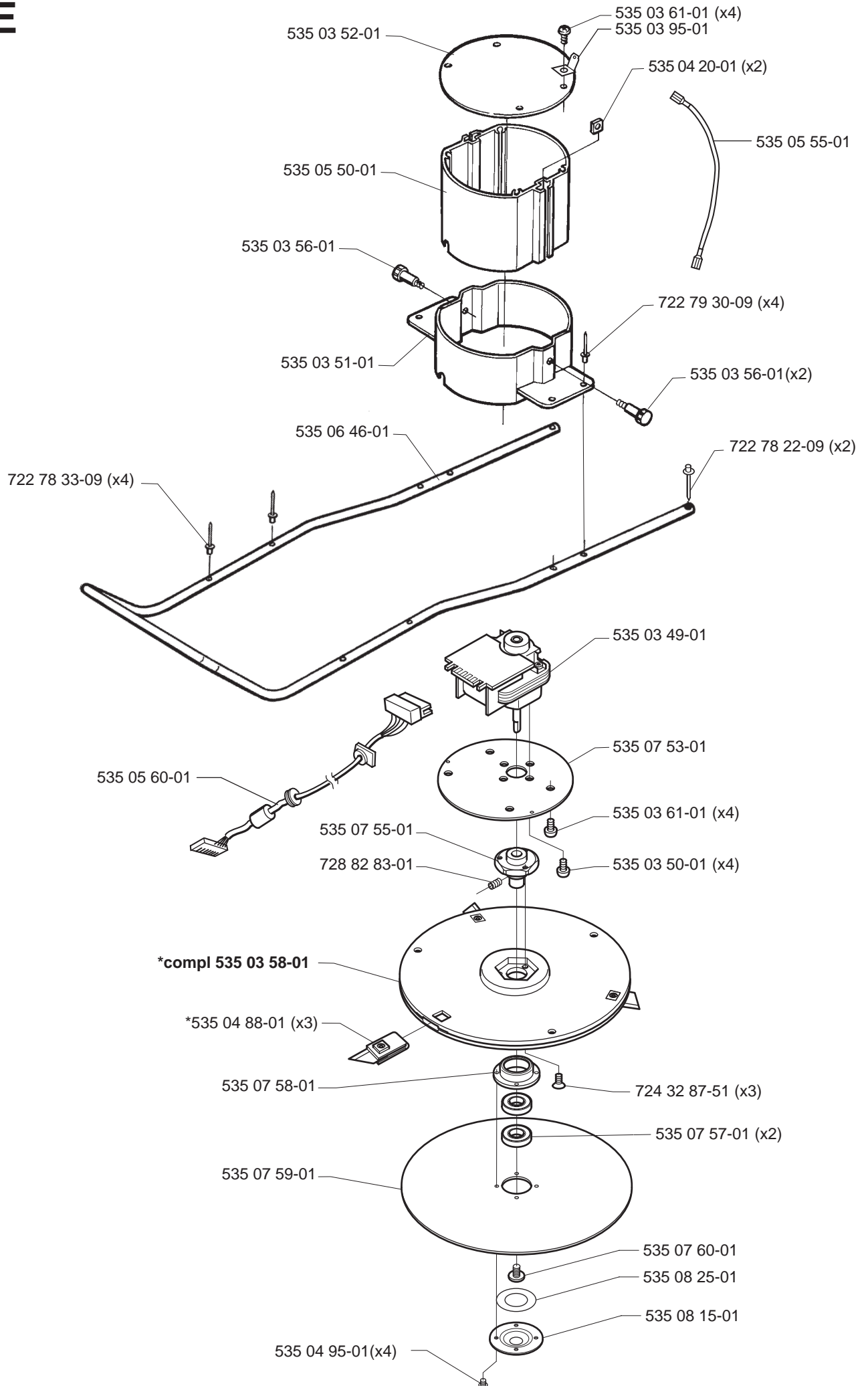
# C



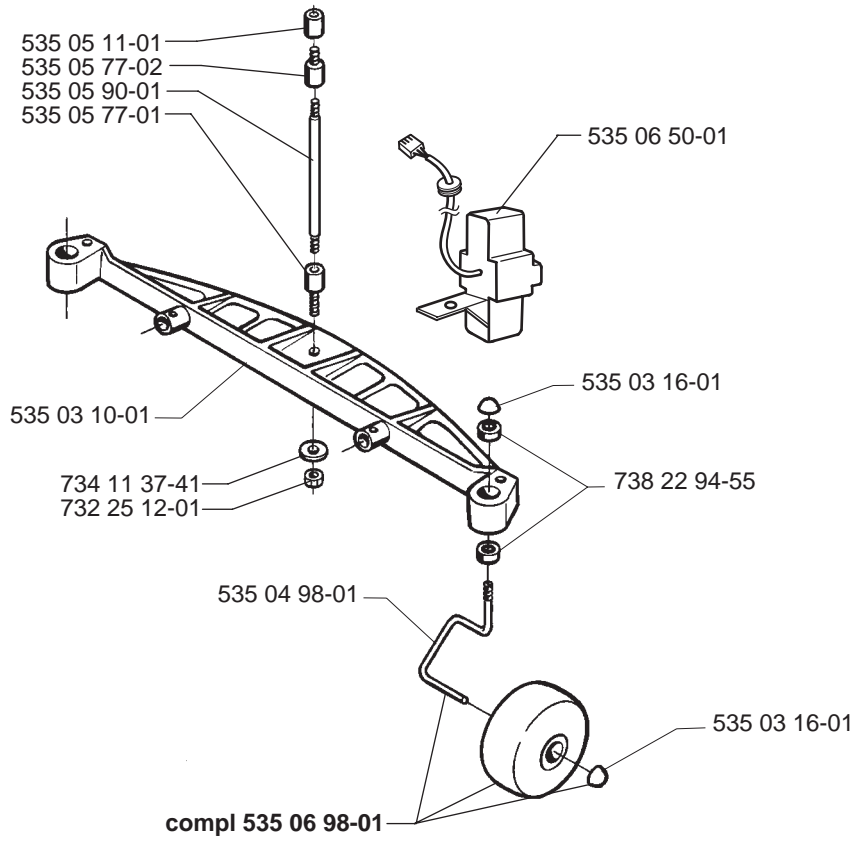
# D



E

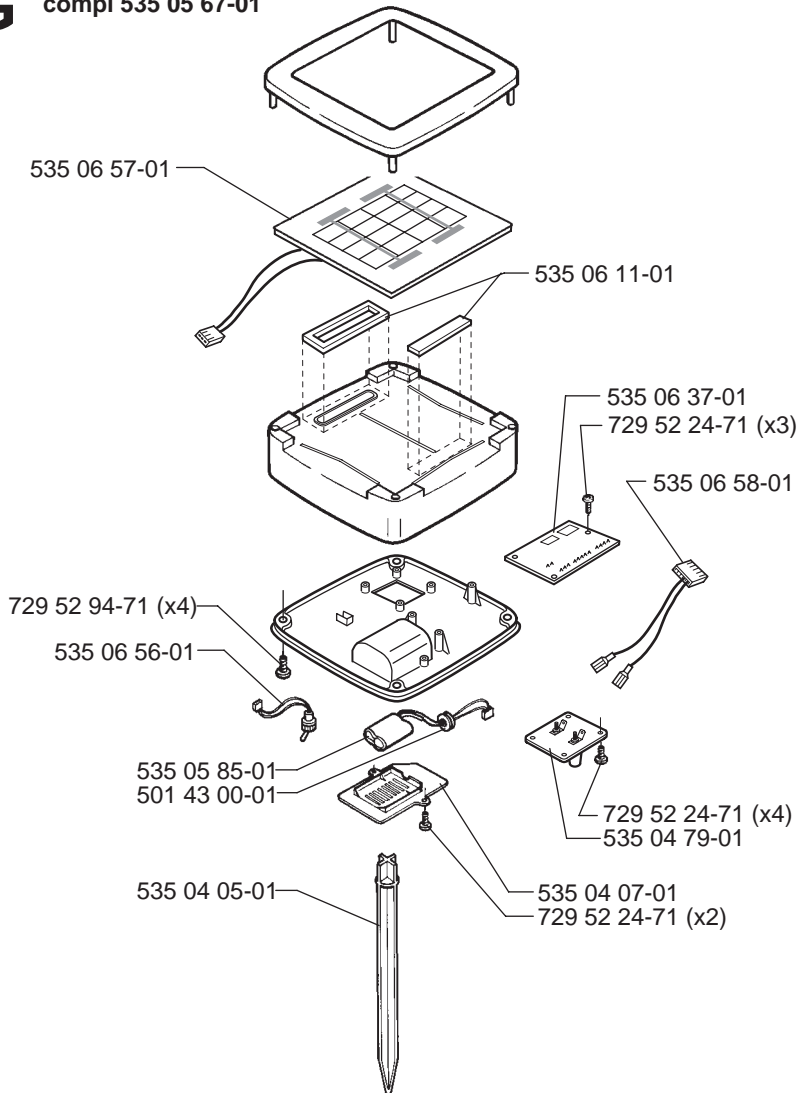


# F



# G

compl 535 05 67-01



# H

